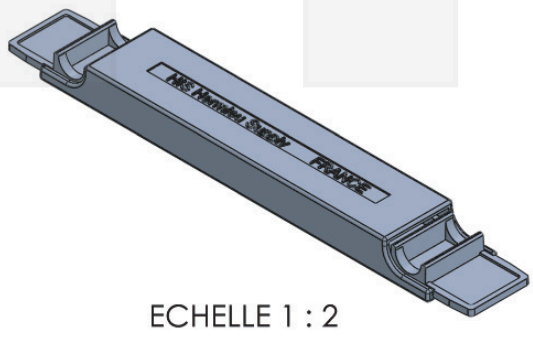
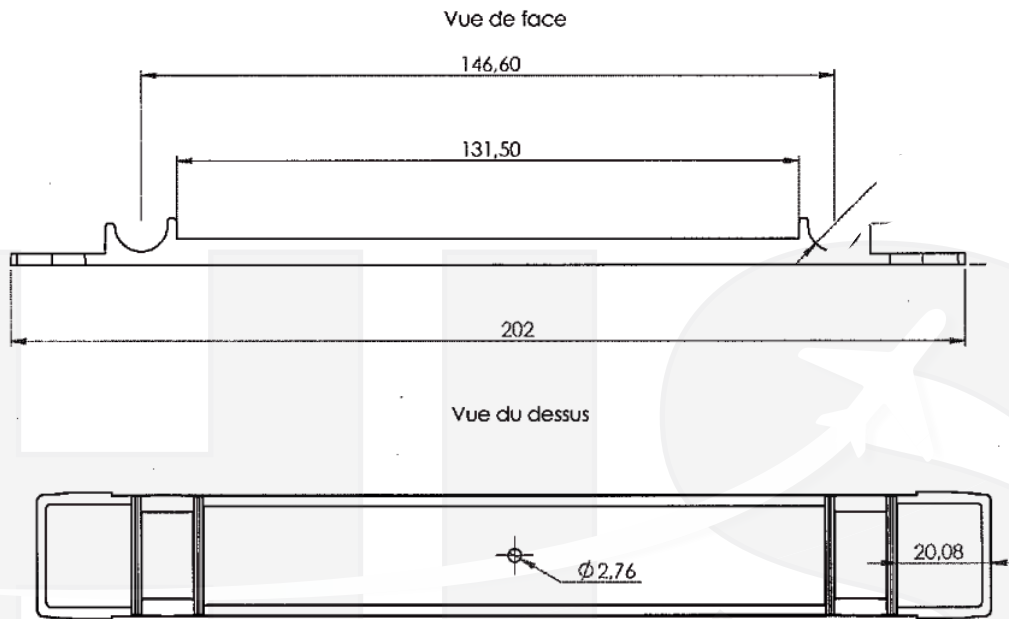


DATA SHEET : DATA SHEET HIS STRIP HOLDER SPRING LOADED SYSTEM



ECHELLE 1 : 2

DIMENSION :
8" x 1" with spring system

TOOL EQUIPMENT :
Central direct injection
Steel footprints :
1.2311 (30-34 HRC) et 1.2344 (48-52 HRC)
Injection Strip-holder
ABS Terluran GP22 Natural (BASF)

COLORS:

- Blue
- Pink
- Green
- Buff
- White
- Yellow
- Red
- Khaki
- Brown
- Black

OR OTHER
COLORS ON REQUEST

